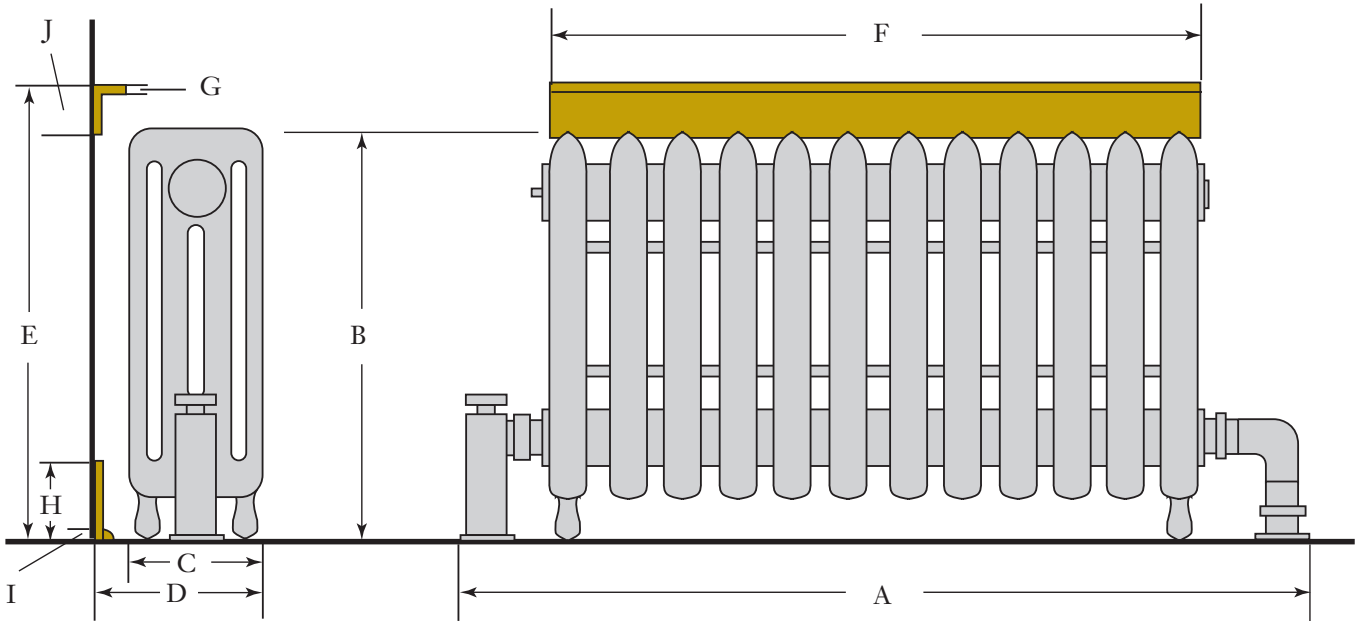


Bob Schober

CUSTOM DESIGNED RADIATOR COVERS

AND OTHER CABINETRY

Easy Radiator Cabinet Measuring



Key to a proper fit of your cabinet is accurate measuring. Please provide the measurements listed below and email them:

- A. Length of the radiator... includes the water pipes. _____
- B. Height of the radiator ...measure from the floor to the top of the radiator. _____
- C. Width of the radiator ... measure the width of the radiator. _____
- D. Front of radiator to the wall ... measure from the front of the radiator to the wall between the baseboard and window casing. Do this on both ends. Left _____ Right _____
- E. Floor to top of window sill ... measure from the floor to the top of the window sill. Do this on both ends. Left _____ Right _____
- F. Window sill ... Measure the width of the window sill and casing below it. _____
- G. Window sill ... measure the thickness of the window sill itself. _____
- H. Baseboard ... measure from the floor to the top of the baseboard. Do this on both ends. Left _____ Right _____
- I. Quarter round ... If you have it, this is the "trim" piece attached at the floor to the baseboard . Please measure the height and width (usually $\frac{3}{4}$ "x $\frac{3}{4}$ "). _____
- J. Height of the window casing ...measure from the bottom of the casing to the top of the sill. _____

As to design elements of the cabinet, those can be discussed by email or telephone.